



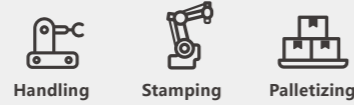
PRESS Series | Stamping Press Robot
Model: SF8 - K1400

The PRESS is designed for high speed press handling. With its high precision and unmatched productivity, the PRESS has become the best productivity tool for press handling loading and palletizing.

The PRESS pin optimizes the efficiency and productivity of the overall press shop, with different combinations for different applications and a solid foundation for every press command due to LIKEHEATTREATMENT thermal technology.

All PRESS series are equipped with LIKEPRECISION technology, the ultra-precise RV Precision Gearbox, which allows the robot to take full advantage of its advantages even at high operating speeds.

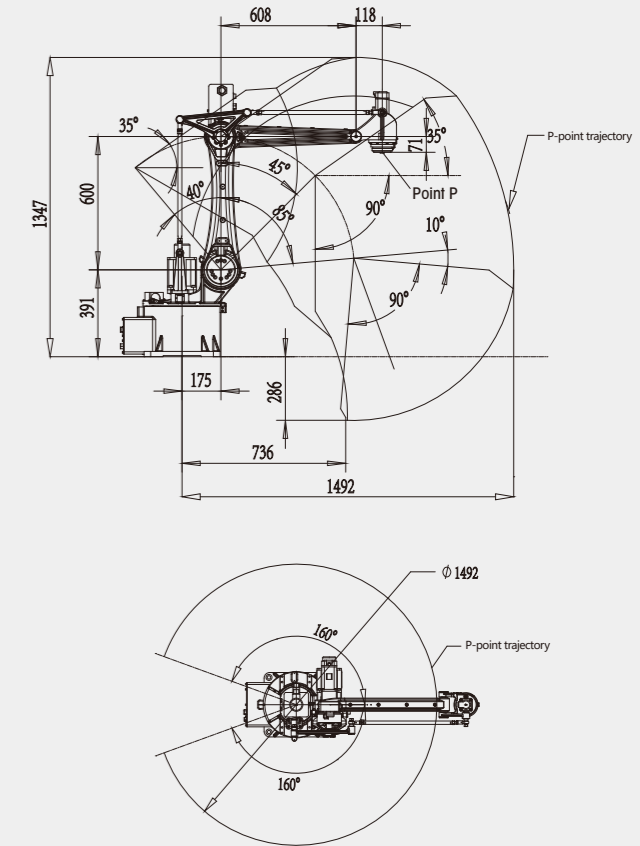
Applications



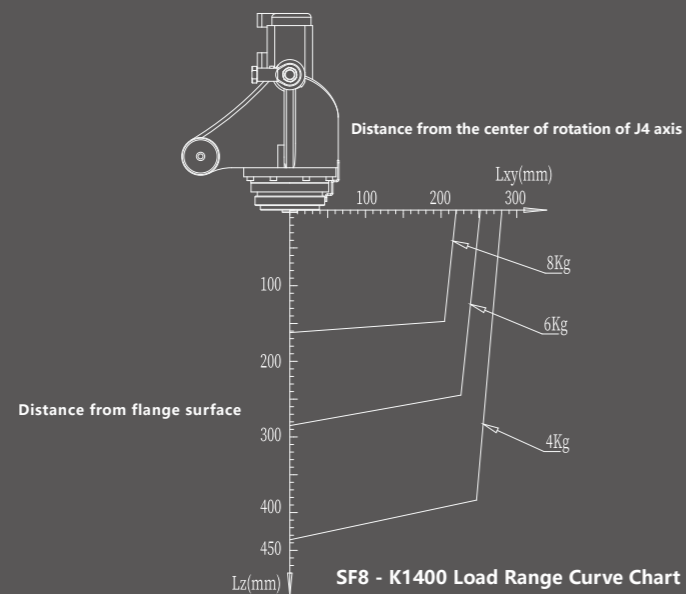
SF8 - K1400 Data Overview

Model	SF8 - K1400	
Structure	Vertically Articulated	
Number of Axis	4	
Radius	1492mm	
Payload	8kg	
Repeatability	±0.07mm	
Drive Mode	AC Servo Motor	
Maximum Speed	J1	150°/s
	J2	148°/s
	J3	195°/s
	J4	265°/s
	J5	/
	J6	/
Range of Motion	J1	±160°
	J2	+40°/-85°
	J3	+35°/-70°
	J4	±360°
Allowable Moment	J4	28N·m
	J5	/
	J6	/
Allowable Inertia	J4	0.52kg·m ²
	J5	/
	J6	/
Protection Rating	IP 65	
Operating Conditions	Temp.	0-45°C
	Humidity	Below 95%RH
	Vibration	Below 4.9m/s ²
	Other	Eliminate Signal Noise
Base Size	342*342mm	
Height	1200mm	
Weight	132KG	
Mounting Positions	Floor, Wall, Ceiling	
Power Consumption	2kVA	

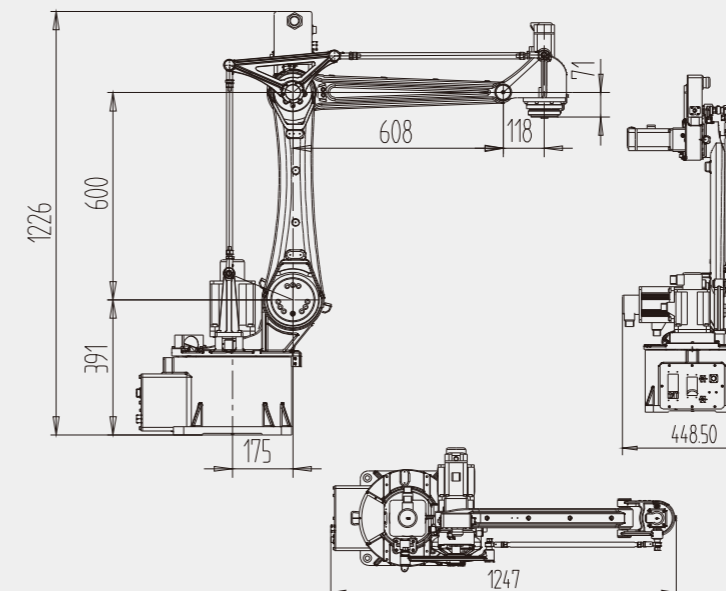
SF8 - K1400 Range of Motion



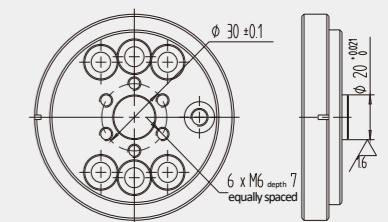
SF8 - K1400 Wrist Load Curve Chart



SF8 - K1400 External & Installation Dimensions



A-Way Diagram (End Flange Mounting Dimensions)



B-Way Diagram (Base Mounting Dimensions)

