



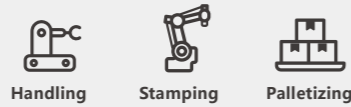
PA Series | Palletizing Robot
Model: SF210 - K3200

The PA series is fast, accurate, and powerful CHAIFU industrial robots for pallet stacking on the market. A complete product portfolio obtains higher economic benefits, high precision, low cost, and very efficient productivity.

The PA series for palletizing, handling, and stamping industrial applications offers unparalleled productivity and high performance in the market, completing a wide range of complete solutions quickly and precisely, with a low deadweight design to reduce cycle times.

With its low cost and high productivity, the PA is the perfect choice to benefit from the efficiency of your plant by achieving a total capacity increase with fast and accurate output in a small space.

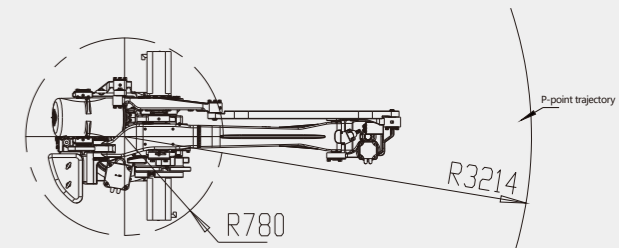
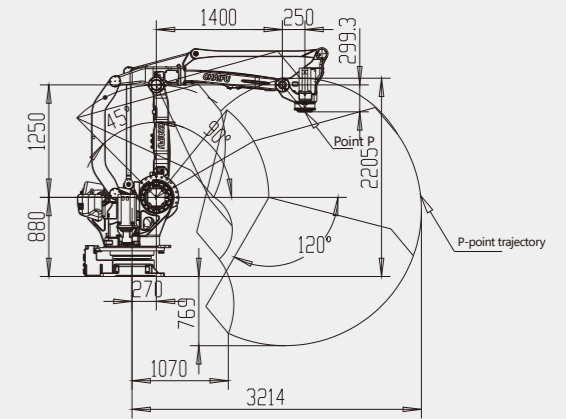
Applications



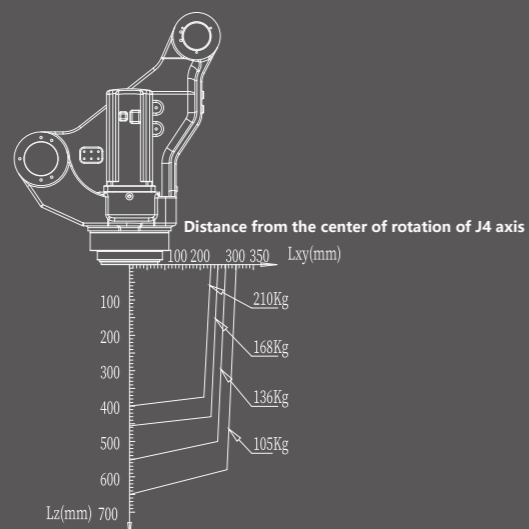
SF210 - K3200 Data Overview

Model	SF210 - K3200	
Structure	Vertically Articulated	
Number of Axis	4	
Radius	3200mm	
Payload	210kg	
Repeatability	±0.3mm	
Drive Mode	AC Servo Motor	
Maximum Speed	J1	120°/s
	J2	140°/s
	J3	140°/s
	J4	305°/s
	J5	/
	J6	/
Range of Motion	J1	±180°
	J2	+44°/-80°
	J3	+15.5°/-115°
	J4	±360°
	J5	/
	J6	/
Allowable Moment	J4	1666N·m
	J5	/
	J6	/
Allowable Inertia	J4	80kg·m²
	J5	/
	J6	/
Protection Rating	IP 65	
Operating Conditions	Temp.	0-45°C
	Humidity	Below 95%RH
	Vibration	Below 4.9m/s²
	Other	Eliminate Signal Noise
Base Size	710*700mm	
Height	2463mm	
Weight	1950KG	
Mounting Positions	Floor	
Power Consumption	6.5kVA	

SF210 - K3200 Range of Motion

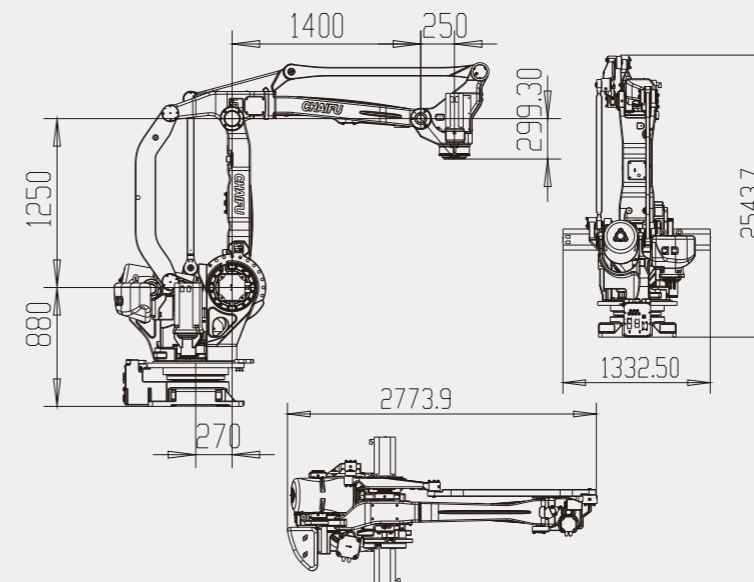


SF1600-C4000 PA Wrist Load Curve Chart

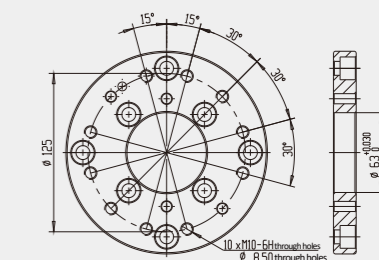


SF210 - K3200 Load Range Curve Chart

SF210 - K3200 External & Installation Dimensions



A-Way Diagram (End Flange Mounting Dimensions)



B-Way Diagram (Base Mounting Dimensions)

