



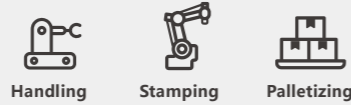
PA Series | Palletizing Robot
Model: SF180 - C3200

The PA series is fast, accurate, and powerful CHAIFU industrial robots for pallet stacking on the market. A complete product portfolio obtains higher economic benefits, high precision, low cost, and very efficient productivity.

The PA series for palletizing, handling, and stamping industrial applications offers unparalleled productivity and high performance in the market, completing a wide range of complete solutions quickly and precisely, with a low deadweight design to reduce cycle times.

With its low cost and high productivity, the PA is the perfect choice to benefit from the efficiency of your plant by achieving a total capacity increase with fast and accurate output in a small space.

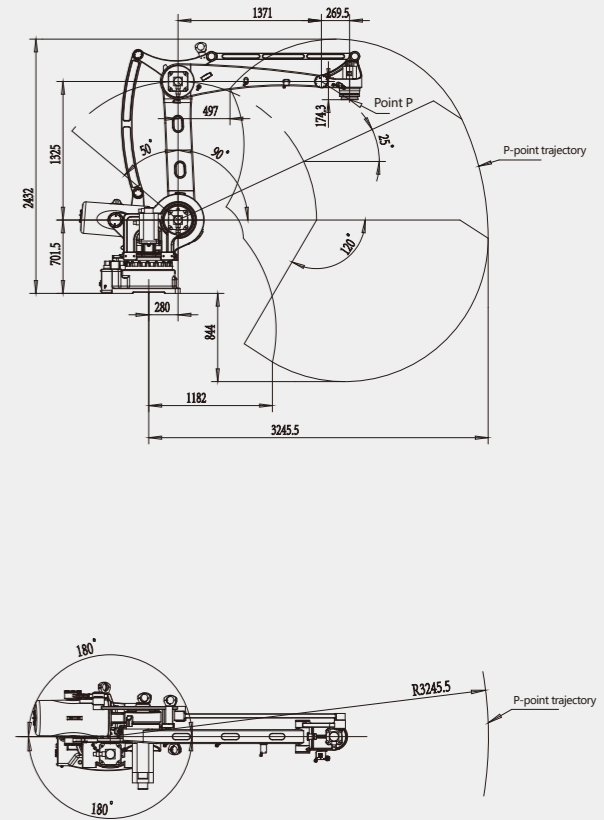
Applications



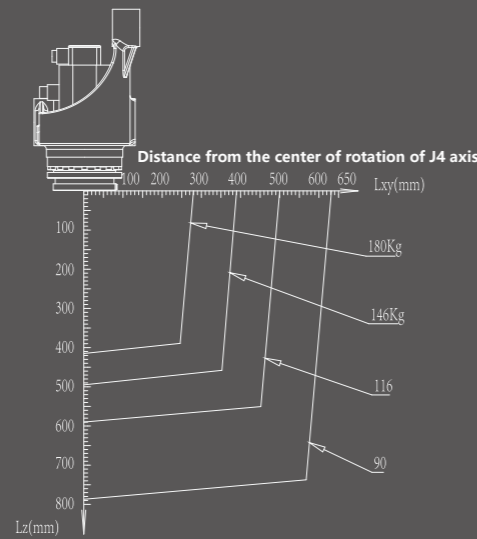
SF180 - C3200 Data Overview

Model	SF180 - C3200	
Structure	Vertically Articulated	
Number of Axis	4	
Radius	3245.5mm	
Payload	180kg	
Repeatability	±0.25mm	
Drive Mode	AC Servo Motor	
Maximum Speed	J1	105°/s
	J2	105°/s
	J3	105°/s
	J4	260°/s
	J5	/
	J6	/
Range of Motion	J1	+/-180°
	J2	-90°/+45°
	J3	-75°/+110°
	J4	±360°
	J5	/
	J6	/
Allowable Moment	J4	1764N·m
	J5	/
	J6	/
Allowable Inertia	J4	36kg·m ²
	J5	/
	J6	/
Protection Rating	IP 65	
Operating Conditions	Temp.	0-45°C
	Humidity	Below 95%RH
	Vibration	Below 4.9m/s ²
	Other	Eliminate Signal Noise
Base Size	750*520mm	
Height	2401mm	
Weight	1380KG	
Mounting Positions	Floor	
Power Consumption	6.5kVA	

SF180 - C3200 Range of Motion

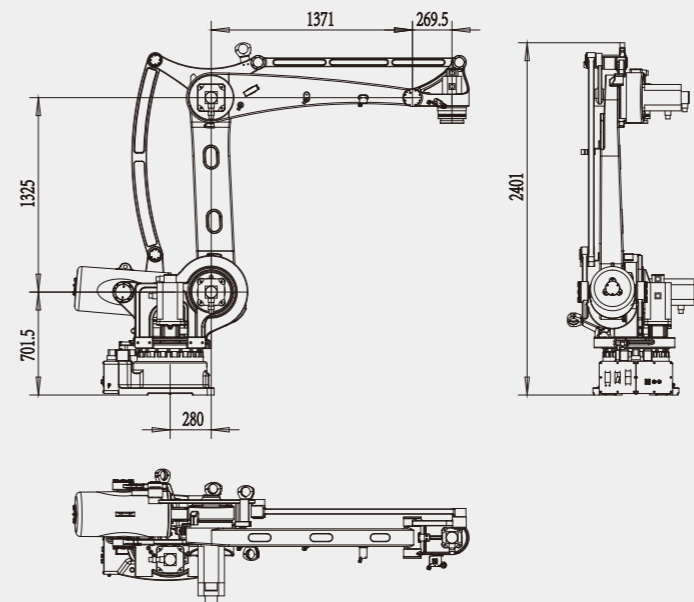


SF1200-C4360 PA Wrist Load Curve Chart

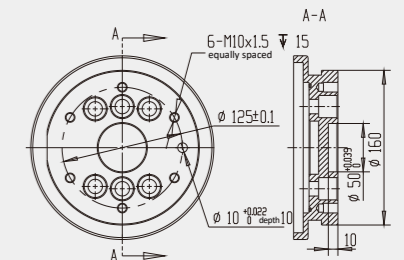


SF180 - C3200 Load Range Curve Chart

SF180 - C3200 External & Installation Dimensions



A-Way Diagram (End Flange Mounting Dimensions)



B-Way Diagram (Base Mounting Dimensions)

